

## DESCRIPTION

The MT7201C+ is a continuous mode inductive step-down converter, designed for driving single or multiple series connected LEDs efficiently from a voltage source higher than the LED voltage. The device operates from an input supply between 6V~50V and provides an externally adjustable output current of up to 1.2A.

The MT7201C+ includes the output switch and a high-side output current sensing circuit, which uses an external resistor to set the nominal average output current.

Output current can be adjusted below the set value, by applying an external control signal to the 'ADJ' pin.

The ADJ pin will accept either a DC voltage or a PWM waveform. Depending upon the control frequency, this will provide either a continuous or a gated output current. The PWM filter components are contained within the chip.

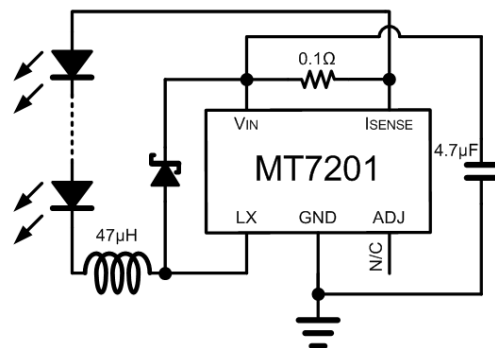
The PWM filter provides a soft-start feature by controlling the rise of input/output current. The soft-start time can be increased using an external capacitor from the ADJ pin to ground. Applying a voltage of 0.2V or lower to the ADJ pin turns the output off and switches the device into a low current standby state.

The device is assembled in a SOT89-5 pin package.

## FEATURES

- Simple low parts count
- 1.2A output current
- Single pin on/off and brightness control using DC voltage or PWM
- Internal PWM filter
- Proprietary frequency Jitter technique to reduce EMI
- High efficiency (up to 97%)
- Wide input voltage range: 6V to 50V
- Output shutdown
- Up to 1MHz switching frequency
- Inherent open-circuit LED protection
- Typical  $\pm 5\%$  output current accuracy

## TYPICAL APPLICATION CIRCUIT



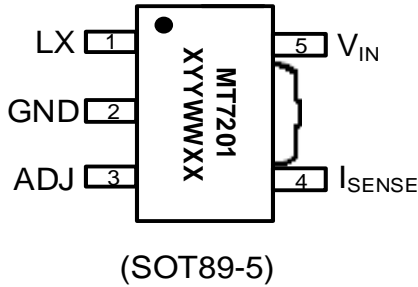
## APPLICATION

- Low voltage halogen replacement LEDs
- Automotive lighting
- Low voltage industrial lighting
- LED back-up lighting
- Illuminated signs
- Stage lights

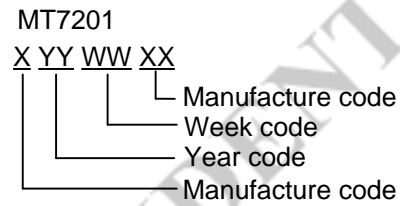
**ORDERING INFORMATION**

Part Number	Package	Packing Method	Chip Mark
MT7201C+	SOT89-5	Tape 1,000 Pcs/Reel	MT7201 XYYWWC1

**PIN CONFIGURATIONS**



**Chip Mark**



**PIN DESCRIPTION**

Name	Pin No.	Description
LX	1	Drain of internal switch
GND	2	Ground
ADJ	3	Multi-function On/Off and brightness control pin: <ul style="list-style-type: none"> <li>Leave floating for normal operation. (<math>V_{ADJ}=2.38V</math>). The nominal average output current setting as <math>I_{OUTnom}=0.1/R_s</math></li> <li>Drive to voltage below 0.235V to turn off output current</li> <li>Drive with DC voltage (<math>0.235V &lt; V_{ADJ} &lt; 1.6V</math>) to adjust output current from 20% to 100% of <math>I_{OUTnom}</math>. Drive with DC voltage larger than 1.6V will clamp the output current as 100% <math>I_{OUTnom}</math></li> <li>Drive with PWM signal adjust output current.</li> <li>Connect a capacitor from this pin to ground to increase soft-start time.</li> </ul>
ISENSE	4	Connect resistor $R_s$ from this pin to $V_{IN}$ to define nominal average output current $I_{OUTnom}=0.1/R_s$ (Note: $R_{SMIN}=0.1\Omega$ with ADJ pin open-circuit)
VIN	5	Input voltage (6V to 50V). Decouple to ground with 4.7 $\mu$ F or higher X7R ceramic capacitor close to device

**ABSOLUTE MAXIMUM RATINGS**

(Voltages to GND unless otherwise stated)

Input voltage range ( $V_{IN}$ )	-0.3V to +60V
ISENSE voltage range ( $V_{SENSE}$ )	+0.3V to -5V (measured with respect to $V_{IN}$ )
LX output voltage range ( $V_{LX}$ )	-0.3V to +60V
Adjust pin input voltage range ( $V_{ADJ}$ )	-0.3V to +6V
Switch output current ( $I_{LX}$ )	1.5A
Power dissipation ( $P_{tot}$ )	1W
Operating temperature range ( $T_{OP}$ )	-40°C to 125°C
Storage temperature range ( $T_{ST}$ )	-55°C to 150°C
Operating junction temperature range ( $T_J$ )	-40°C to 150°C
ESD(HBM)	2KV

**THERMAL RESISTANCE**

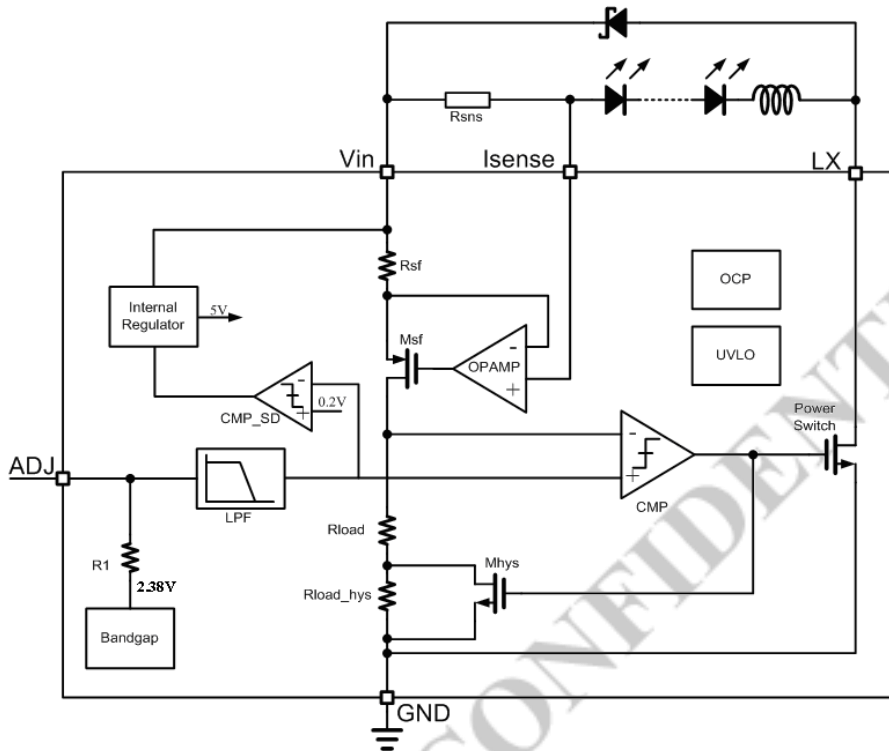
Junction to ambient ( $R_{\theta JA}$ )	78°C/W
---	--------

## ELECTRICAL CHARACTERISTICS

(Test Conditions:  $V_{IN}=12V$ ,  $T_{amb}=25^{\circ}C$  unless otherwise stated)

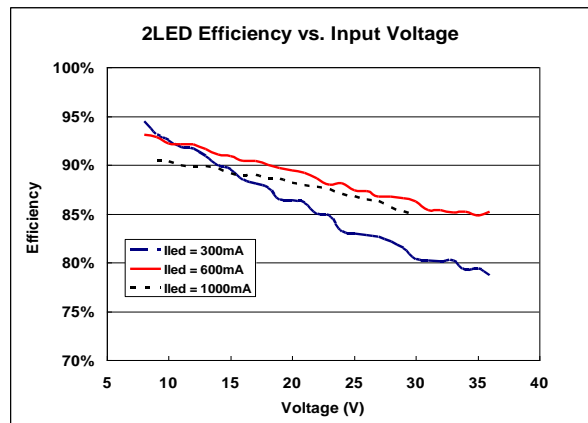
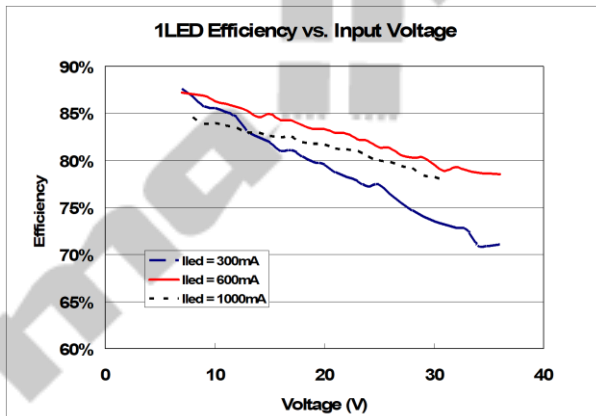
Symbol	Parameter	Conditions	Min	Typ	Max	Unit
$V_{IN}$	Input Voltage		6		50	V
$V_{SU}$	Internal regulator start-up threshold	$V_{IN}$ rising		5.8		V
$I_{INQoff}$	Quiescent supply current with output off	ADJ pin grounded		120		$\mu A$
$I_{INQon}$	Quiescent supply current with output on	ADJ pin floating $f=250kHz$		600		$\mu A$
$V_{SENSE}$	Mean current sense threshold voltage(defines LED current setting accuracy)	Measured on $I_{SENSE}$ pin with respect to $V_{IN}$	95	100	105	mV
$V_{SENSEHYS}$	Sense threshold hysteresis			$\pm 15$		%
$I_{SENSE}$	$I_{SENSE}$ pin input current	$V_{SENSE}=V_{IN}-0.1$		1.25	10	$\mu A$
$V_{REF}$	Internal reference voltage			1.20		V
$\Delta V_{REF}/\Delta T$	Temperature coefficient of $V_{REF}$				50	ppm/ $^{\circ}C$
$V_{ADJ}$	External control voltage range on ADJ pin for dc brightness control		0.235		1.6	V
$V_{ADJoff}$	DC voltage on ADJ pin to switch device from on state to off state	$V_{ADJ}$ falling		0.210		V
$V_{ADJon}$	DC voltage on ADJ pin to switch device from off state to on state	$V_{ADJ}$ rising		0.235		V
$I_{LXmean}$	LX average input current				1.2	A
$R_{LX}$	LX switch 'On' resistance			0.4		$\Omega$
$I_{LX(leak)}$	LX switch leakage current				1	$\mu A$
$D_{PWM}$	Duty cycle range of PWM signal applied to ADJ pin during low frequency PWM dimming mode	Frequency<500Hz Amplitude between 1.5V and 5.5V	0.01		1	
	Brightness control range				1000:1	
$T_{ONmin}$	Minimum 'ON' time	LX switch 'ON'	200			ns
$T_{OFFmin}$	Minimum 'OFF' time	LX switch 'OFF'	200			ns
$f_{LXmax}$	Recommended maximum operating frequency				1.1	MHz
$D_{LX}$	Recommended duty cycle range of output switch at $f_{LXmax}$		0.3		0.7	
$T_{PD}$	Internal comparator propagation delay			50		ns
$T_{SD}$	Thermal shutdown threshold			165		$^{\circ}C$
$T_{SD-HYS}$	Thermal shutdown hysteresis			30		$^{\circ}C$

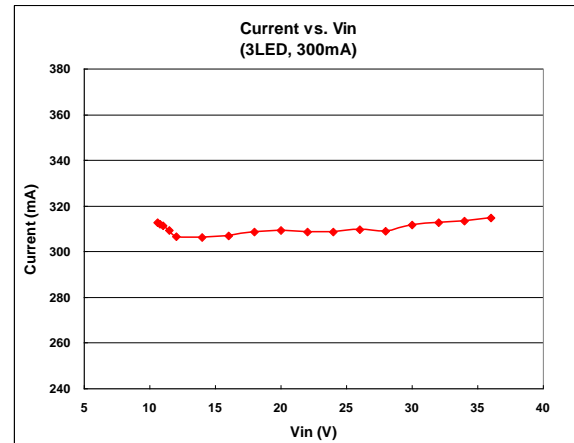
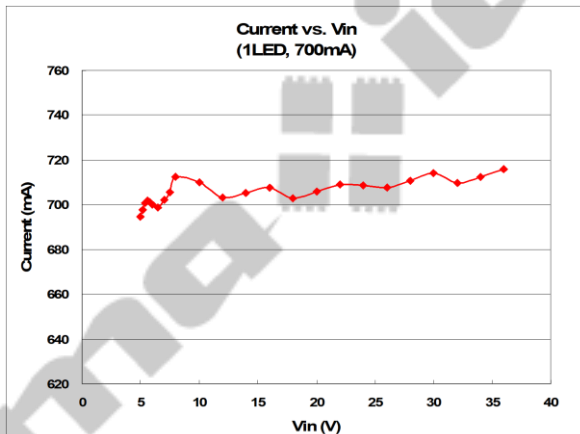
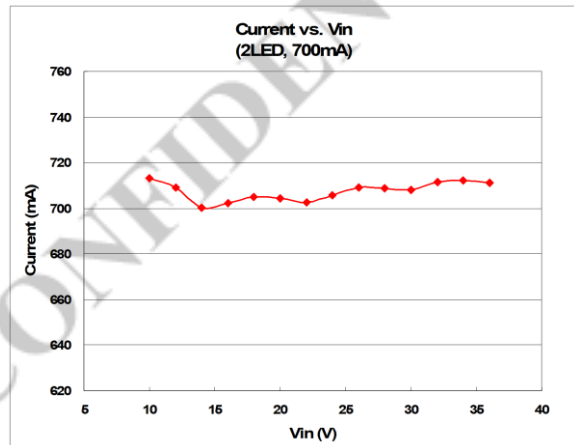
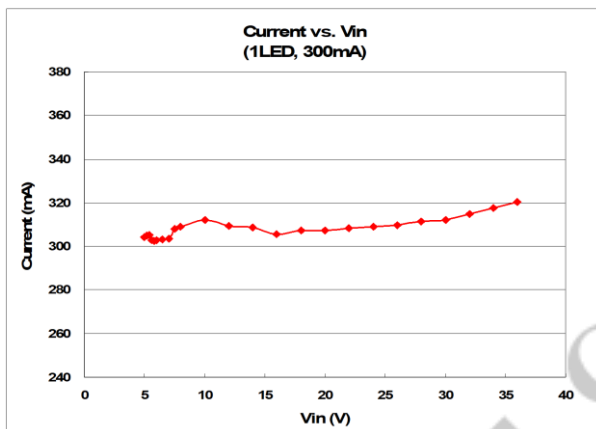
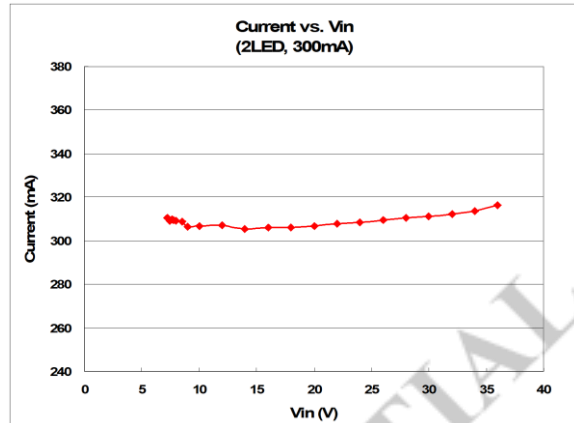
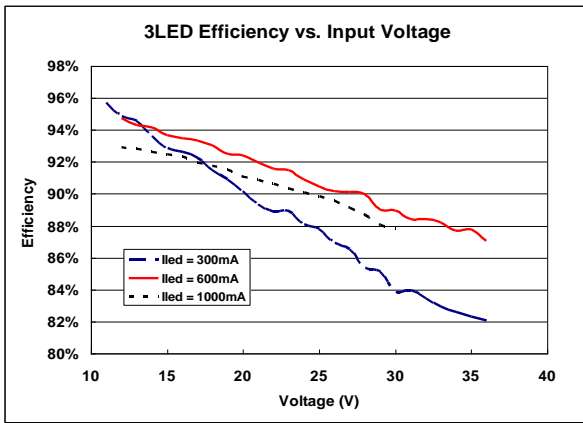
**BLOCK DIAGRAM**

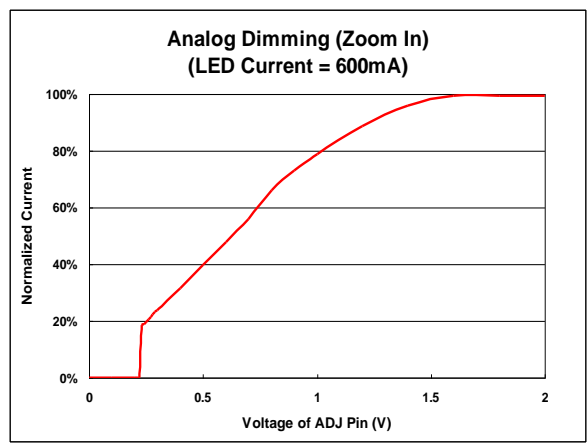
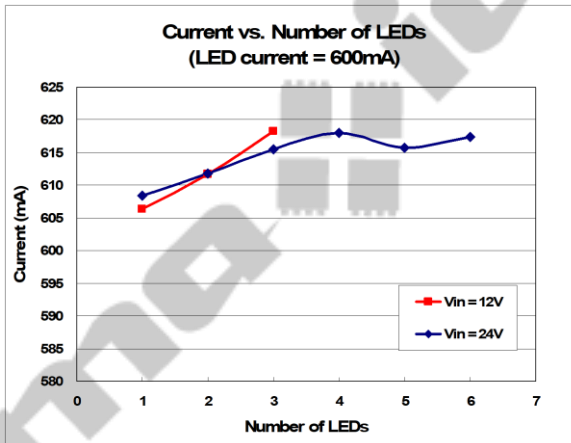
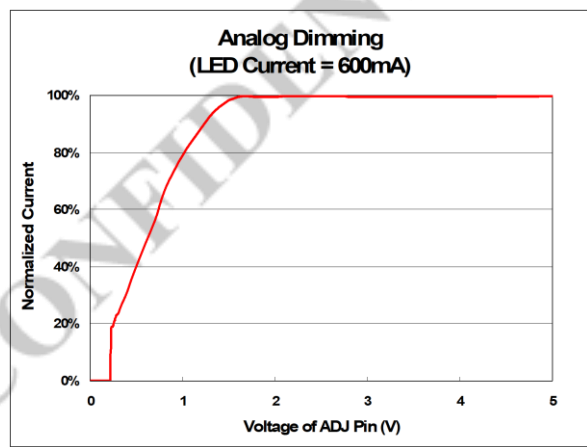
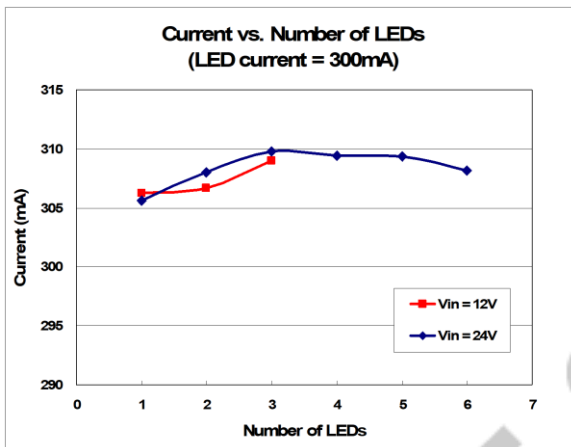
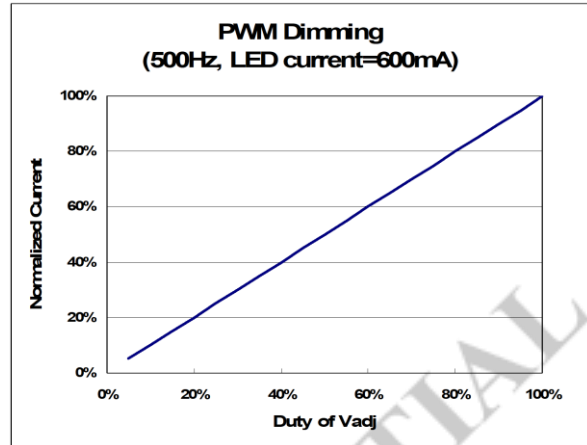
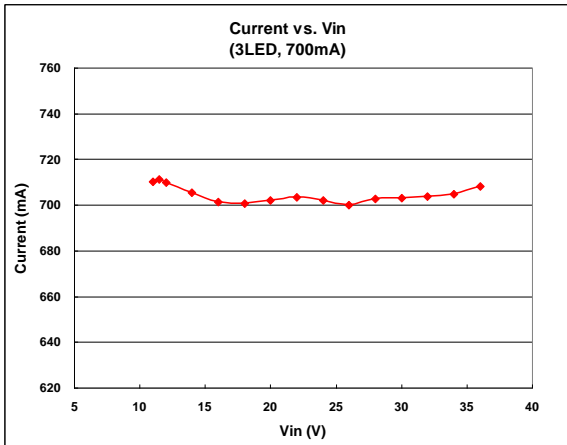


**TYPICAL CHARACTERISTICS**

(Inductor L=47uH, unless otherwise stated)







**APPLICATION INFORMATION**

**Setting nominal average output current with external resistor Rs**

The nominal average output current in the LED(s) is determined by the value of the external current sense resistor (Rs) connected between VIN and ISENSE and is given by:

$$I_{OUTnom} = 0.1/R_s \text{ [for } R_s > 0.1]$$

The table below gives values of nominal average output current for several preferred values of current setting resistor (Rs) in the typical application circuit shown on page 1:

RS(Ω)	Nominal average output current (mA)
0.1	1000
0.13	760
0.15	667

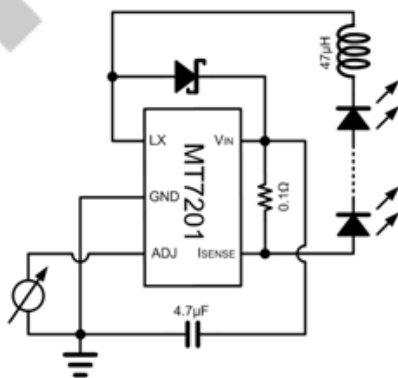
The above values assume that the ADJ pin is floating.

Note that Rs=0.1Ω is the minimum allowed value of sense resistor under these conditions to maintain switch current below the specified maximum value.

It is possible to use different values of Rs if the ADJ pin is driven from an external voltage.

**Output current adjustment by external DC control voltage**

The ADJ pin can be driven by an external DC voltage (VADJ), as shown, to adjust the output current to a value below the nominal average value defined by Rs.



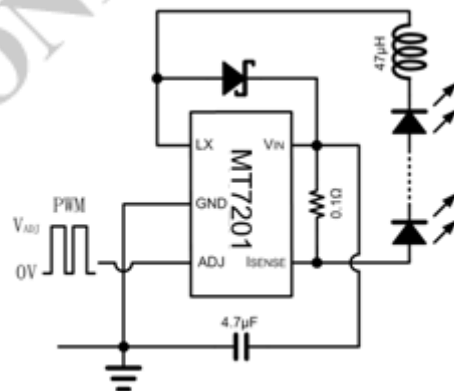
The nominal average output current in this case shown in Analog Dimming Figures above. The DC voltage dimming range is about 0.235V ~ 1.6V.

Note that 100% brightness setting corresponds to 0.1/Rs.

When driving the ADJ pin above 1.6V, MT7201C+ will internally clamp the brightness to 100%.

**Output current adjustment by PWM control**

A Pulse Width Modulated (PWM) signal with duty cycle DPWM can be applied to the ADJ pin, as shown below, to adjust the output current to a value below the nominal average value set by resistor Rs:



The amplitude of PWM signal need to be larger than 2.0V, normally 3.0V ~ 5.0V. The frequency of the PWM dimming signal better to be 100Hz ~ 2kHz.

**Shutdown mode**

Taking the ADJ pin to a voltage below 0.21V for more than approximately 100µs, will turn off the output and supply current will fall to a low standby level of 120µA nominal.

**Inherent open-circuit LED protection**

If the connection to the LED(s) is open-circuited, the coil is isolated from the LX pin of the chip, so the device will not be



damaged, unlike in many boost converters, where the back EMF may damage the internal switch by forcing the drain above its breakdown voltage.

### Capacitor selection

A low ESR capacitor should be used for input decoupling, as the ESR of this capacitor appears in series with the supply source impedance and lowers overall efficiency. This capacitor has to supply the relatively high peak current to the coil and smooth the current ripple on the input supply. A minimum value of 4.7µF is acceptable if the input source is close to the device, but higher values will improve performance at lower input voltages, especially when the source impedance is high. The input capacitor should be placed as close as possible to the IC.

### Inductor selection

Recommended inductor values for the MT7201C+ are in the range 27µH to 100µH. Higher values of inductance are recommended at higher supply voltages in order to minimize errors due to switching delays, which result in increased ripple and lower efficiency. Higher values of inductance also result in a smaller change in output current over the supply voltage range. The inductor should be mounted as close to the device as possible with low resistance connections to the LX and VIN pins. The chosen coil should have a saturation current higher than the peak output current and a continuous current rating above the required mean output current. The inductor value should be chosen to maintain operating duty cycle and switch 'on'/'off' times within the specified limits over the supply voltage and load current range. The following equations can be used as a guide:

LX Switch 'On' time

$$T_{ON} = \frac{L\Delta I}{V_{IN} - V_{LED} - I_{avg}(R_S + r_L + R_{LX})}$$

Note: T<sub>ONmin</sub>>200ns

LX Switch 'Off' time

$$T_{OFF} = \frac{L\Delta I}{V_D + V_{LED} + I_{avg}(R_S + r_L)}$$

Note: T<sub>OFFmin</sub>>200ns

Where:

L is the coil inductance (H)

r<sub>L</sub> is the coil resistance (Ω)

I<sub>avg</sub> is the required LED current (A)

ΔI is the coil peak-peak ripple current (A)  
{internally set to 0.3 x I<sub>avg</sub>}

V<sub>IN</sub> is the supply voltage (V)

V<sub>LED</sub> is the total LED forward voltage (V)

R<sub>LX</sub> is the switch resistance (Ω)

V<sub>D</sub> is the diode forward voltage at the required load current (V)

### Diode selection

It is important to select parts with a peak current rating above the peak coil current and a continuous current rating higher than the maximum output load current. It is very important to consider the reverse leakage of the diode when operating above 85°C. Excess leakage will increase the power dissipation in the device.

### Reducing output ripple

Peak to peak ripple current in the LED can be reduced, if required, by shunting a capacitor C<sub>led</sub> across the LED(s). A value of 1µF will reduce nominal ripple current by a factor three (approx.). Proportionally lower ripple can be achieved with higher capacitor values. Note that the capacitor will not affect operating frequency or efficiency, but it will increase start-up delay, by reducing the rate of rise of LED voltage.

### Operation at low supply voltage

The internal regulator disables the drive to the switch until the supply has risen above the startup threshold ( $V_{su}$ ). Above this threshold, the device will start to operate. However, with the supply voltage below the specified minimum value, the switch duty cycle will be high and the device power dissipation will be at a maximum. Care should be taken to avoid operating the device under such conditions in the application, in order to minimize the risk of exceeding the maximum allowed die temperature.

Note that when driving loads of two or more LEDs, the forward drop will normally be sufficient to prevent the device from switching below approximately 6V. This will minimize the risk of damage to the device.

### Layout considerations

#### *LX pin*

The LX pin of the device is a fast switching node, so PCB tracks should be kept as short as possible. To minimize ground 'bounce', the ground pin of the device should be soldered directly to the ground plane.

#### *Coil and decoupling capacitors and current sense resistor*

It is particularly important to mount the coil and the input decoupling capacitor as close to the device pins as possible to minimize parasitic resistance and inductance, which will degrade efficiency. It is also important to minimize any track resistance in series with current sense

resistor  $R_s$ . It's best to connect  $V_{IN}$  directly to one end of  $R_s$  and  $I_{sense}$  directly to the opposite end of  $R_s$  with no other currents flowing in these tracks. It is important that the cathode current of the Schottky diode does not flow in a track between  $R_s$  and  $V_{IN}$  as this may give an apparent higher measure of current than is actual because of track resistance.

#### *ADJ pin*

The ADJ pin is a high impedance input. So, when left floating, PCB tracks to this pin should be as short as possible to reduce noise pickup. A 100nF capacitor from the ADJ pin to ground will reduce frequency modulation of the output under these conditions. An additional RC low pass filter (10k $\Omega$ /100 $\mu$ F) can also be used when driving the ADJ pin from an external circuit. This LPF will provide filtering for low frequency noise and provide protection against high voltage transients.

#### *High voltage tracks*

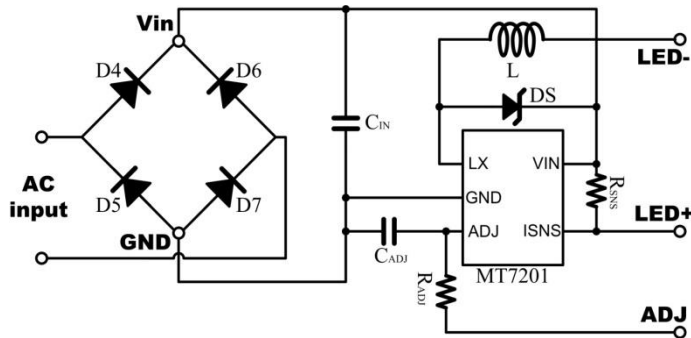
Avoid running any high voltage tracks close to the ADJ pin, to reduce the risk of leakage due to board contamination. Any such leakage may raise the ADJ pin voltage and cause excessive output current. However, a ground ring placed around the ADJ pin is recommended to minimize changes in output current under these conditions.

#### *Evaluation board*

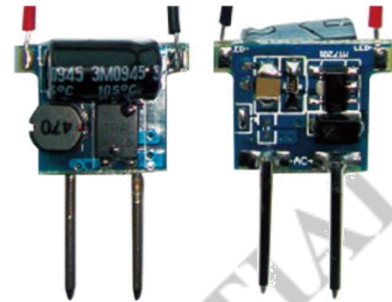
The MT7201C+ evaluation boards are available on request.

**DEMO BOARD**

*SCHEMATIC*



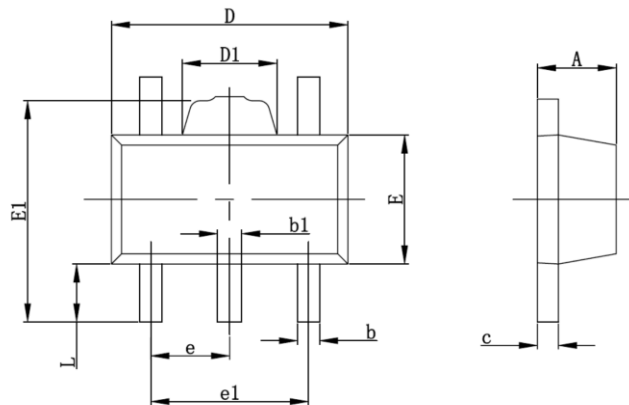
*BOARD PHOTO*



*PARTS LIST*

Qty.	Reference	Description	Model	Size
4	D4,D5,D6,D7	Schottky diode or Full Bridge Rectifier (for lower than 40V application)	SS14 or KMB14F	PowerDI
		Schottky diode or Full Bridge Rectifier (for larger than 40V application)	SS16 or SS110 or MB6S	
1	DS	Schottky diode (for lower than 40V application)	SS14	
		Schottky diode (for larger than 40V application)	SS16 or SS110	
1	CIN	Input capacitor, 100uF (AC), 4.7uF (DC) (for lower than 40V application)	Rated voltage 40V	
		Input capacitor, 100uF (AC), 4.7uF (DC) (for larger than 40V application)	Rated voltage higher than 60V	
1	CADJ	Dimming capacitor		0603
1	RADJ	Dimming resistor		0603
1	L	Loop inductor, typically 47uH		
1	RSNS	Current sensing resistor		0603
1	MT7201C+	IC, MT7201C+, 1.2A LED driver		SOT89-5

**PACKAGE INFORMATION**



Symbol	Dimensions in millimeters		Dimensions in inches	
	Min	Max	Min	Max
A	1.400	1.600	0.055	0.063
b	0.320	0.520	0.013	0.020
b1	0.360	0.560	0.014	0.022
c	0.350	0.440	0.014	0.017
D	4.400	4.600	0.173	0.181
D1	1.400	1.800	0.055	0.071
E	2.300	2.600	0.091	0.102
E1	3.940	4.250	0.155	0.167
e	1.500TYP		0.060TYP	
e1	2.900	3.100	0.114	0.122
L	0.900	1.100	0.035	0.043

**Important Notice**

- Maxic Technology Corporation (Maxic) reserves the right to make correction, modifications, enhancements, improvements and other changes to its products and services at any time and to discontinue any product or service without notice. Customers should obtain the latest relevant information before placing orders and should verify that such information is current and complete. All products are sold subject to Maxic’s terms and conditions of sale supplied at the time of order acknowledgement.
- Reproduction, copying, transferring, reprinting this paper without Maxic’s written permission is prohibited.
- Maxic assumes no liability for applications assistance or the design of customers’ products. Maxic warrants the performance of its products to the specifications applicable at the time of sale. Customers are responsible for their products and applications using Maxic components. To minimize the risks associated with customers’ products and applications, customers should provide adequate design and operating safeguards.